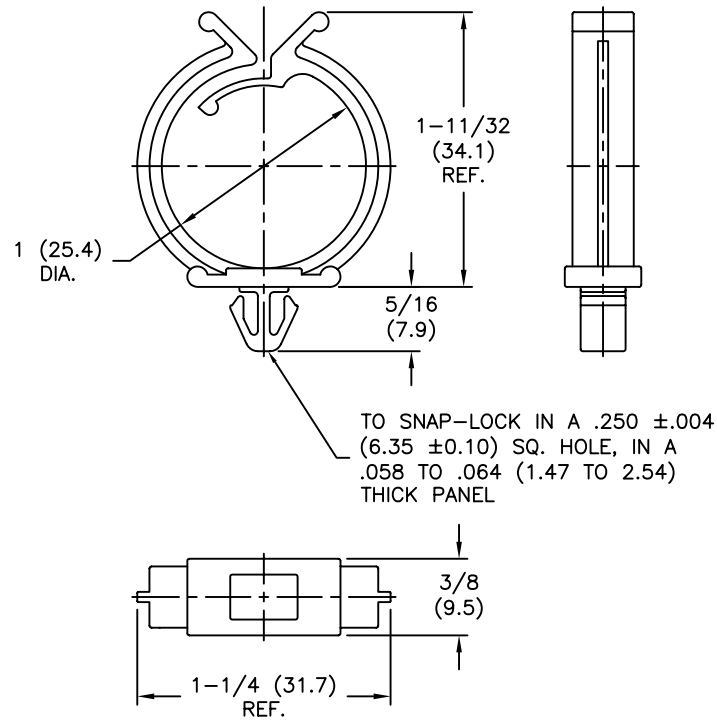


MATERIAL:	NYLON 6/6 (RMS-01)	NYLON 6/6 (RMS-01)	FLAME RETARDANT NYLON (RMS-19)
COLOR:	NATURAL	BLACK	NATURAL
PART NO.:	RWS-16-01	RWS-16-01BK	RWS-16-19



TITLE: ROUND WIRE SADDLE				DWG IN IN (MM)	
TOLERANCES UNLESS NOTED .XX=±.010 .XXX=±.005 FRAC=±1/64 ANG=±1°	FILE # RWS-16	DWN: P.B.	APP:	FINAL	
	MAT'L: SEE NOTES	DT: 07-26-95	DT:	PART #	PRINT TYPE
	RE: RICHCO, INC.	RICHCO INC. PO BOX 804238, CHICAGO, 60680 (773) 539-4060		SEE TABLE	CA

C	ADDED PART NO. TABLE & REMOVED NOTES	SJ 07.19.02
B	CHANGED FILE NUMBER	SM 05.30.01
A	COLOR BLACK ADDED	J.L. 1.9.98
REV	DESCRIPTION	ENGR DATE